



■ Heated top to drop-in with heated self-service or deli display and 2 heated shelves

For all manner of needs – the Vauconsant heated tops to drop-in with heated self-service display Visio Line offer the best solution to display your products while maintaining temperature.

The heated tops to drop-in with self-service display are designed to hold from 2 to 5 GN1/1 – 65 mm containers (not supplied). Equipped with a heated top and two heated shelves, they provide excellent visibility to all displayed products.

Temperature regulation of the top and of the two shelves (+40°C to +120°C) is by 2 separate thermostats with control indicators.

Capacity

- From 2 to 5 GN1/1 – 65 mm containers (not supplied)

Standard equipments

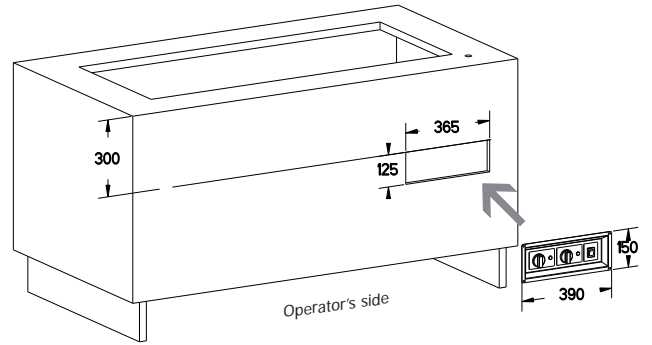
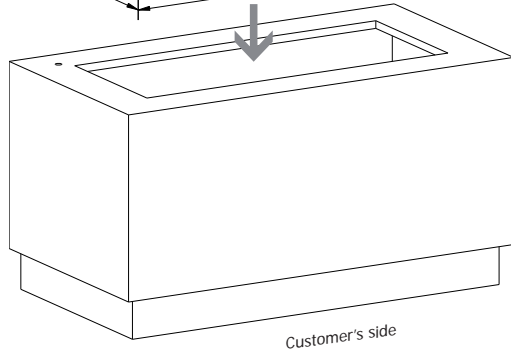
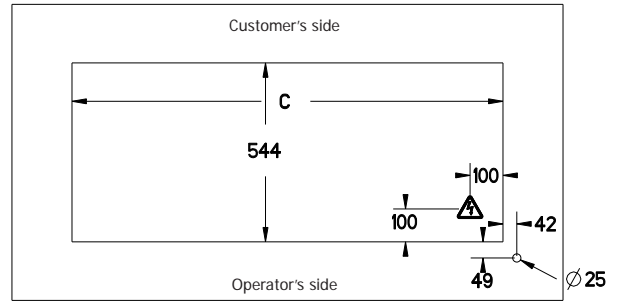
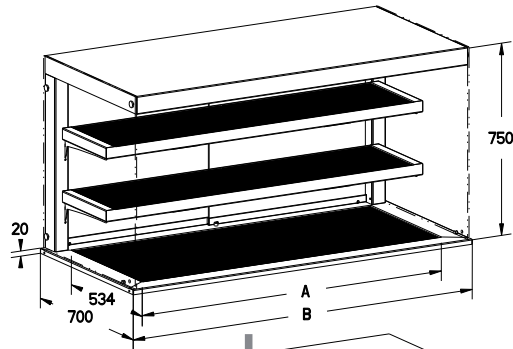
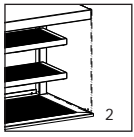
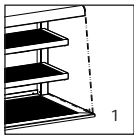
- Controller to drop-in

Construction

- Stainless steel
- Recessed tempered glass hot plates with built-in heating elements under
- 2 heated shelves equipped with tempered glass hot plates with built-in heating elements below
- Watertight lighting in the upper part of the display and under the shelves
- 6 mm thick tempered glass display, either curved or rectilinear design
- Open on the customer's side, two sliding doors on the operator's side
- Rock wool insulation (30 mm)
- Temperature regulation of the top and of the 2 shelves by 2 separate thermostats with control indicators
- Full internal fuse protection

Options

- Deli display
- Rectilinear design
- Heated top with 55 mm deep recessed
- Separated control of each heated shelf
- Back in mirror polished finish instead of sliding doors



Heated top to drop-in with heated self-service or deli display and 2 heated shelves

Code	Dimensions	Capacity	Lighting		Elect. P.	Voltage	Drop-in dimensions			Wgt.
			upper part	under shelf			A	B	C	
A32408	A32408C	2 GN 1/1	1 spot	1 spot	S - 1380 W	1N230V + PE	654 mm	820 mm	664 mm	71 Kg
A32413	A32413C	3 GN 1/1	2 spots	2 spots	S - 2200 W	1N230V + PE	976 mm	1150 mm	986 mm	92 Kg
A32415	A32415C	4 GN 1/1	2 spots	2 spots	S - 2760 W	1N230V + PE	1301 mm	1475 mm	1310 mm	111 Kg
A32419	A32419C	5 GN 1/1	3 spots	3 spots	S - 3580 W	1N230V + PE	1623 mm	1800 mm	1633 mm	132 Kg

Options

Code	Description
A30137	Closed on the customer's side by a permanent glass, displays 820 and 1150 mm
A30138	Closed on the customer's side by a permanent glass, displays 1475 and 1800 mm
A61153	Heated top with 55 mm deep recess
A61143	Separated control of each heated shelf
A30097	Back in mirror polished finish instead of sliding doors – 820 mm – 1150 mm
A30098	Back in mirror polished finish instead of sliding doors – 1475 mm – 1800 mm