



■ Heated top with heated deli display and 1 shelf

For all manners of need – the Vauconsant heated tops to drop-in with heated deli display offer the best solution to display your products while maintaining temperature.

The heated top drop-in with heated deli-display is designed to hold from 2 to 5 1/1GN containers (not supplied). Equipped with a heated-top and a heated shelf it provides excellent visibility to all displayed products. The heated top drop-in units with heated deli-display are closed to the customer's side and open to the operator's side.

Temperature regulation of the top and shelf (+40° to +120°) is by 2 separate thermostats with control indicators. Protection against overheating is by safety thermostat.

Capacity

- From 2 to 5 GN1/1 (not supplied)

Standard equipments

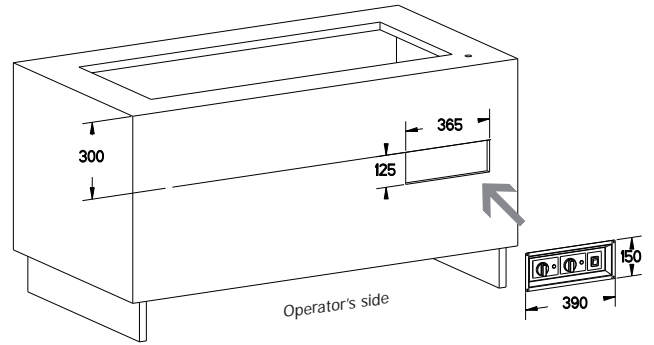
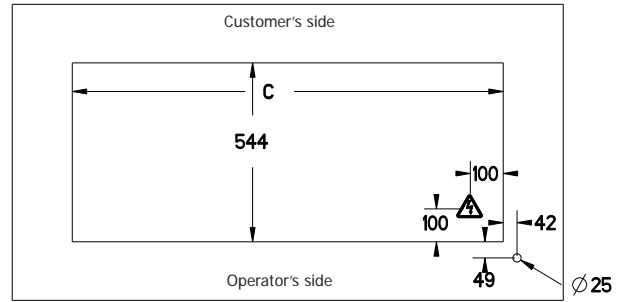
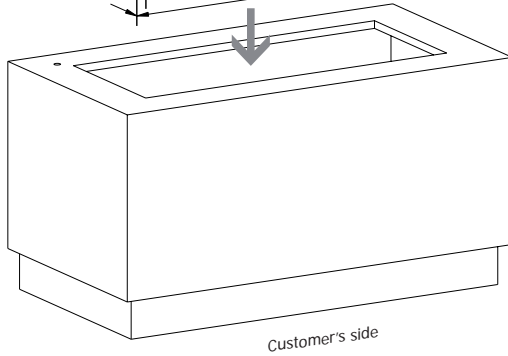
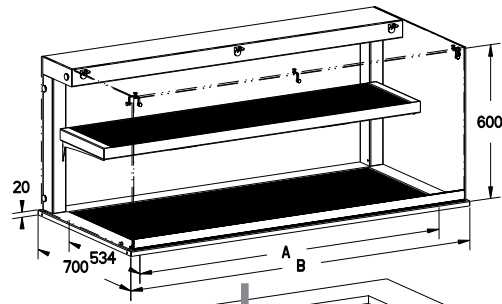
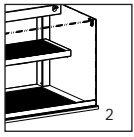
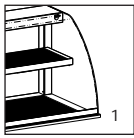
- Controller to drop-in

Construction

- Stainless steel
- Recessed tempered glass hot plates with built-in heating elements under
- Stainless steel shelf equipped with tempered glass hot-plates with built-in elements below
- Watertight lighting under the shelf
- 6 mm tempered glass display, either with curved or rectilinear design
- Open on the operator's side, 6 mm thick curved tempered glass on the customer's side (on a hinged and removable rail for easy cleaning)
- Rock wool insulation (30 mm)
- Temperature regulation of the top and shelf is made by 2 separate thermostats with control indicator
- Full internal fuse protection

Options

- Rectilinear display
- Heated top with 55 mm deep recess
- Sliding doors on the operator's side



Heated tops to drop-in with heated deli display

Code	Dimensions	Capacity	Lighting		Elect. P.	Voltage	Drop-in dimensions			Wgt.
			upper part	under shelf			A	B	C	
A32108	A32108C 820x700x70+600 mm	2 GN 1/1	1 spot	1 spot	S - 1010 W	1N230V + PE	654 mm	820 mm	664 mm	58 Kg
A32113	A32113C 1150x700x70+600 mm	3 GN 1/1	2 spots	2 spots	S - 1590 W	1N230V + PE	976 mm	1150 mm	986 mm	76 Kg
A32115	A32115C 1475x700x70+600 mm	4 GN 1/1	2 spots	2 spots	S - 2020 W	1N230V + PE	1301 mm	1475 mm	1310 mm	91 Kg
A32119	A32119C 1800x700x70+600 mm	5 GN 1/1	3 spots	3 spots	S - 2600 W	1N230V + PE	1623 mm	1800 mm	1633 mm	108 Kg

Options

Code	Description
A61153	Heated top with 55 mm deep recess
A30135	Sliding doors on the operator's side, for displays 820 and 1150 mm
A30136	Sliding doors on the operator's side, for displays 1475 and 1800 mm