



VAUCONSANT

LA DISTRIBUTION QUI
DONNE DE L'APPÉTIT

HEATED TOPS OR HEATED BUFFETS TO DROP IN
HEATED GANTRY / SENDING GANTRY
HEATED DESPATCH TABLET



1018
AISI 304

afnor
AC D40-004

VISIO LINE

**HIGH-PERFORMING
250 W INFRARED LAMPS
MORE CUSTOMIZABLE
WHITE HOTPLATE
AS AN OPTION**

The heated top drop-in are designed to hold from 2 to 6 GN 1/1 - 65 containers (not supplied). Equipped with a infrared heating gantry, they provide best possible visibility to your displayed products.

The Visio Line heated tops and buffets are compliant with AFNOR AC D40-004 guidelines for catering food distribution.

Temperature regulation (from +40°C to +120°C) is made by a touchscreen thermostat with delayed start mode. A safety thermostat protects against overheating.

CAPACITY

- From 2 to 6 GN 1/1 - 65 containers (not supplied)
- From 20 to 56 plates Ø 150 mm
- From 30 to 90 ramekins 130x90 mm

STANDARD EQUIPMENT

- Control panel to drop in

CONSTRUCTION

- Stainless steel
- Hotplate in black tempered glass. Heating done by heating mats
- Rock wool insulation (30 mm)
- Temperature regulation by touchscreen thermostat with delayed start function
- Full internal fuse protection

OPTIONS

- Tempered glass hotplate(s) in white color
- 55 mm deep recessed heated top
- Separated control of each hotplate
- Removable stainless steel frame for 1/1-65 mm container
- GN 1/1-65 container with handles and lid

HEATING INFRARED GANTRY

- Stainless steel
- Heating and lighting by slot-in 250 W infrared lamps with protective grid

Heated gantry in folded steel

- Top in folded steel
- Straight sneeze-guard, in 6 mm thick tempered glass
- 2 square tube (40 x 40 mm) or round tube (Ø 42 mm) posts

Heated gantry in tempered glass

- 6 mm thick sneeze-guard in tempered glass with rounded and chamfered corners, composed of one 120x45 mm gantry
- 2 square tube (40 x 40 mm) or round tube (Ø 42 mm) posts

OPTIONS

- Vertical posts in mirror polished finish
- Full height protection glass

HEATING INFRARED GANTRY FOR BUFFET

- Stainless steel
- 120x45 mm heated gantry in folded steel with a double-sided, 6 mm thick sneeze-guard in tempered glass with rounded and chamfered corners
- Heating and lighting by slot-in 250 W infrared lamps with protective grid
- 2 square tube (40 x 40 mm) or round tube (Ø 42 mm) posts

OPTION

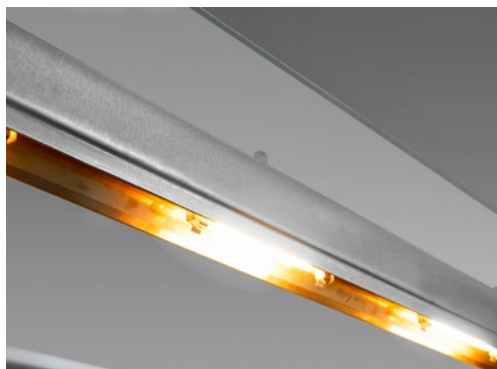
- Vertical posts in mirror polished finish

HEATED DESPATCH TABLET

- Stainless steel
- 120x45 mm sending gantry in folded steel, with hotplate in tempered glass with integrated heating elements
- 2 square tube (40 x 40 mm) or round tube (Ø 42 mm) posts
- LED lighting (4000°K) over both levels
- Curved sneeze-guard in 6 mm thick tempered glass with rounded and chamfered corners

OPTION

- Vertical posts in mirror polished finish



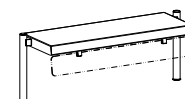
**DROP IN TEMPERED GLASS HOTPLATE
DROP IN HEATED BUFFET**



Capacity	2 GN 1/1	3 GN 1/1	4 GN 1/1	5 GN 1/1	6 GN 1/1
Length	820 mm	1150 mm	1475 mm	1800 mm	2150 mm
Width	700 mm	700 mm	700 mm	700 mm	700 mm
Height	70 mm	70 mm	70 mm	70 mm	70 mm
Electric P.	600 W	900 W	1200 W	1500 W	1800 W
Weight	12 kg	18 kg	22 kg	28 kg	33 kg
Capacity : plates / ramekins *	20/30	28/45	36/60	44/75	56/90
Code	MFDV00020	MFDV00030	MFDV00040	MFDV00050	MFDV00060

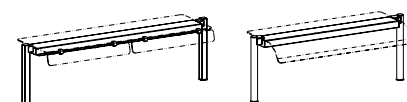
OPTIONS

Designation	2 GN 1/1	3 GN 1/1	4 GN 1/1	5 GN 1/1	6 GN 1/1
Heating top with 55 mm cut-out	Code OAV010	Code OAV010	Code OAV010	Code OAV010	Code OAV010
Separate control for each heating zone - unit	Code PAV010	Code PAV010	Code PAV010	Code PAV010	Code PAV010
GN 1/1-65 container with handles and lid	Code OAV030	Code OAV030	Code OAV030	Code OAV030	Code OAV030
Removable stainless steel frame for GN 1/1-65 container	Code OAA040	Code OAA040	Code OAA040	Code OAA040	Code OAA040
Hotplates in white color (instead of black)	Code OAV040	Code OAV040	Code OAV040	Code OAV040	Code OAV040



HEATING Infrared GANTRIES IN FOLDED STEEL

Capacity	2 GN 1/1	3 GN 1/1	4 GN 1/1	5 GN 1/1	6 GN 1/1	
Length	790 mm	1130 mm	1440 mm	1790 mm	2140 mm	
Width	350 mm	350 mm	350 mm	350 mm	350 mm	
Height	430 mm	430 mm	430 mm	430 mm	430 mm	
Electric P.	500 W	500 W	750 W	1000 W	1250 W	
Weight	9 Kg	13 Kg	16 Kg	19 Kg	23 Kg	
Straight sneeze guard	Round tube	MKDR31320	MKDR31330	MKDR31340	MKDR31350	MKDR31360
	Square tube	MKDC31320	MKDC31330	MKDC31340	MKDC31350	MKDC31360



HEATING Infrared GANTRIES IN TEMPERED GLASS

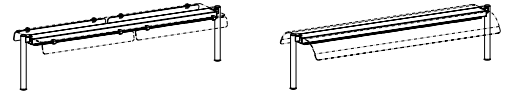
Capacity	2 GN 1/1	3 GN 1/1	4 GN 1/1	5 GN 1/1	6 GN 1/1	
Length	790 mm	1130 mm	1440 mm	1790 mm	2140 mm	
Width - Straight sneeze guard	400 mm	400 mm	400 mm	400 mm	400 mm	
Width - Curved sneeze guard	420 mm	420 mm	420 mm	420 mm	420 mm	
Height	430 mm	430 mm	430 mm	430 mm	430 mm	
Electric P.	500 W	500 W	750 W	1000 W	1250 W	
Weight	10 Kg	14 Kg	17 Kg	21 Kg	25 Kg	
Straight sneeze guard	Round tube	MKDR01320	MKDR01330	MKDR01340	MKDR01350	MKDR01360
	Square tube	MKDC01320	MKDC01330	MKDC01340	MKDC01350	MKDC01360
Curved sneeze guard	Round tube	MKGR01320	MKGR01330	MKGR01340	MKGR01350	MKGR01360
	Square tube	MKGC01320	MKGC01330	MKGC01340	MKGC01350	MKGC01360

OPTIONS

Designation	2 GN	3 GN	4 GN	5 GN	6 GN
Protective glass on the whole height	Code ODM011	Code ODM011	Code ODM011	Code ODM011	Code ODM011
Mirror polish vertical posts (per sneeze guard)	Code ODM010	Code ODM010	Code ODM010	Code ODM010	Code ODM010

* Plates Ø 150 mm / Ramekins of 130 x 90 mm

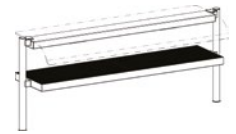
HEATING INFRARED GANTRIES FOR BUFFET



Capacity		2 GN	3 GN	4 GN	5 GN	6 GN
Length		790 mm	1130 mm	1440 mm	1790 mm	2140 mm
Width - Straight sneeze guard		400 mm	400 mm	400 mm	400 mm	400 mm
Width - Curved sneeze guard		570 mm	570 mm	570 mm	570 mm	570 mm
Height		530 mm	530 mm	530 mm	530 mm	530 mm
Electric P.		500 W	500 W	750 W	1000 W	1250 W
Weight		10 Kg	14 Kg	17 Kg	21 Kg	25 Kg
Straight sneeze guard	Round tube	MKDR05320	MKDR05330	MKDR05340	MKDR05350	MKDR05360
	Square tube	MKDC05320	MKDC05330	MKDC05340	MKDC05350	MKDC05360
Curved sneeze guard	Round tube	MKGR05320	MKGR05330	MKGR05340	MKGR05350	MKGR05360
	Square tube	MKGC05320	MKGC05330	MKGC05340	MKGC05350	MKGC05360

OPTION

Capacity		2 GN	3 GN	4 GN	5 GN	6 GN
Mirror polish vertical posts (per sneeze guard)	Code	ODM010	ODM010	ODM010	ODM010	ODM010

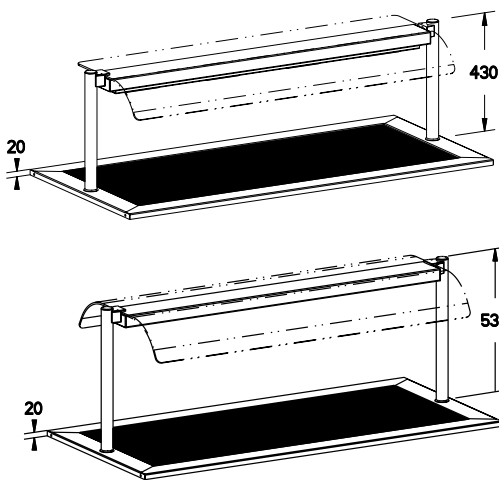


DESPATCH HEATED TABLETS WITH CURVED SNEEZE GUARD

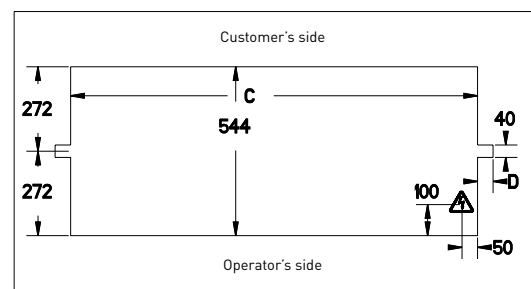
Capacity		2 GN 1/1	3 GN 1/1	4 GN 1/1	5 GN 1/1	6 GN 1/1
Length		790 mm	1130 mm	1440 mm	1790 mm	2140 mm
Width		420 mm	420 mm	420 mm	420 mm	420 mm
Height		600 mm	600 mm	600 mm	600 mm	600 mm
Electric P.		380 W	690 W	900 W	1100 W	1300 W
Weight		19 Kg	29 Kg	35 Kg	44 Kg	53 Kg
LED lighting over the 2 levels	Round tube	MKGR20820	MKGR20830	MKGR20840	MKGR20850	MKGR20860
	Square tube	MKGC20820	MKGC20830	MKGC20840	MKGC20850	MKGC20860

OPTION

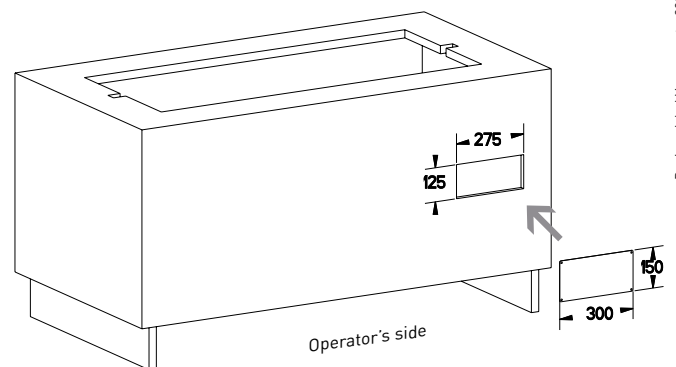
Capacity		2 GN 1/1	3 GN 1/1	4 GN 1/1	5 GN 1/1	6 GN 1/1
Mirror polish vertical posts (per sneeze guard)	Code	ODM010	ODM010	ODM010	ODM010	ODM010



Drop-in dimensions		Cutout for the sneeze-guard or deposit shelf - D
2 GN 1/1	664x544 mm	50 mm*
3 GN 1/1	986x544 mm	60 mm*
4 GN 1/1	1311x544 mm	50 mm*
5 GN 1/1	1633x544 mm	70 mm*
6 GN 1/1	1958x544 mm	80 mm*



Electric specifications : 1 N 230V + PE



* for the heated tops/buffets with heated gantry/despatch tablet